

## Embrace Elegance with A Rounded, Full Shape and Gracefully Flowing Curves

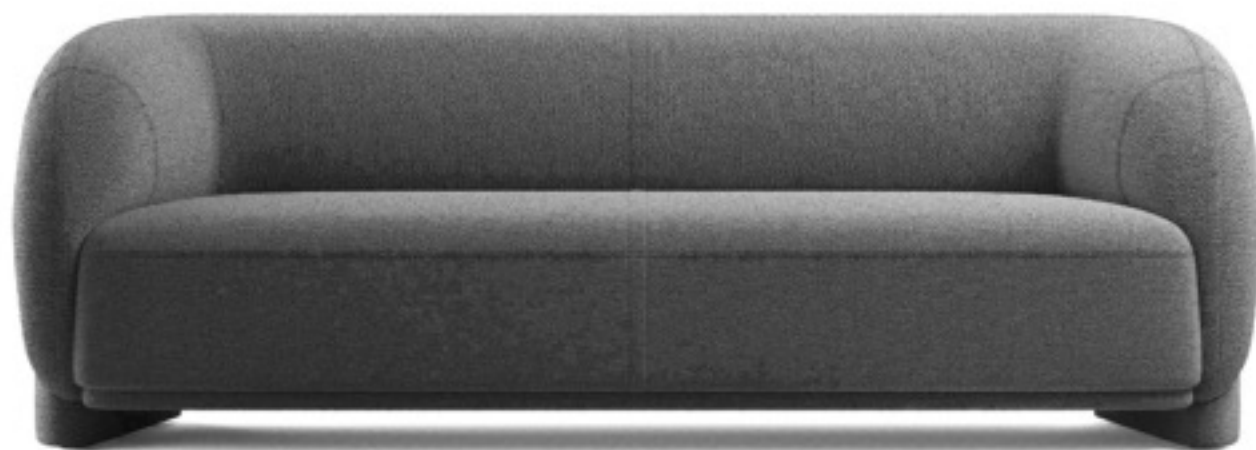
The sofa's rounded, full shape and solid base seamlessly blend with the smooth lines of the armrests achieving a perfect balance of functionality and aesthetics.



### FLUFFY

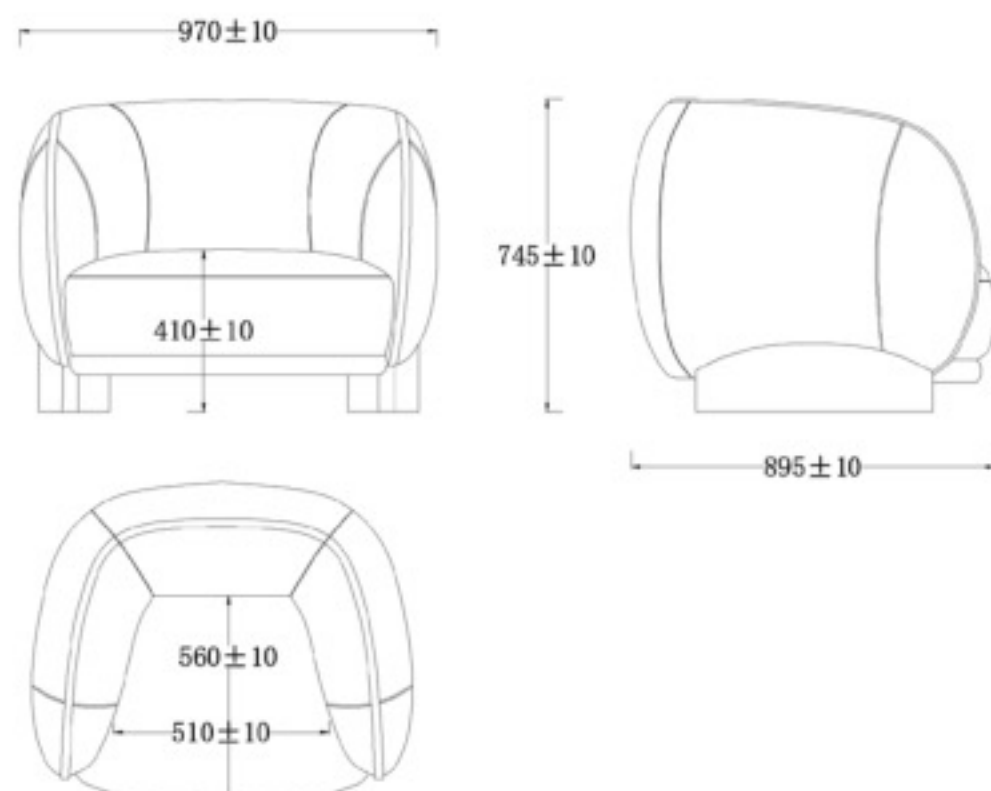
#### FEATURES:

- Build-in High Elastic Foam. Full, Comfortable & Flexible
- 57cm Extra-wide Seat Depth meets needs of various body types
- Bionic Elephant-leg Design. A Blend of Nature and Modern Craftsmanship
- 150kg weight rating (Single)
- 450kg weight rating (3 Seater)



**Arc Corner Design  
Combining Stability and Style**

#### SINGLE



#### 3 SEATER

